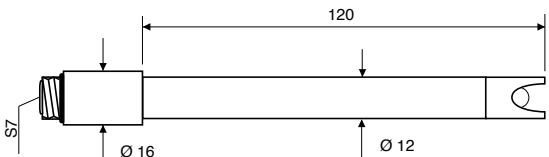
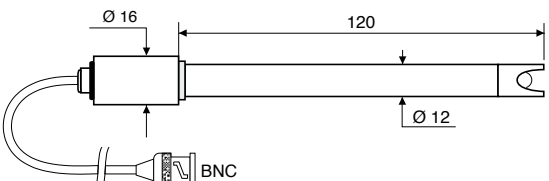
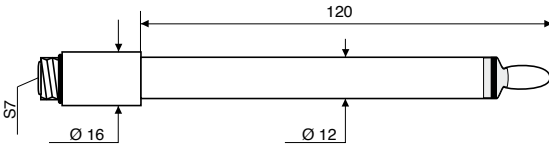
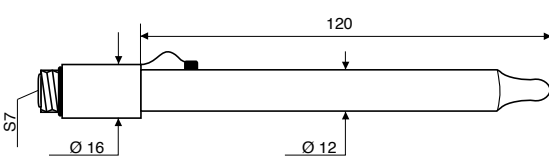
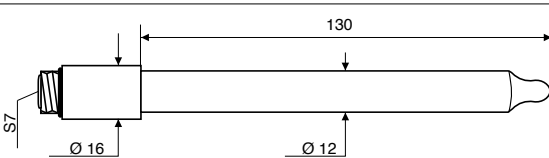
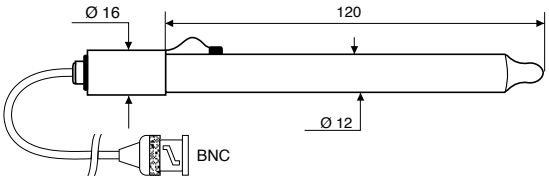
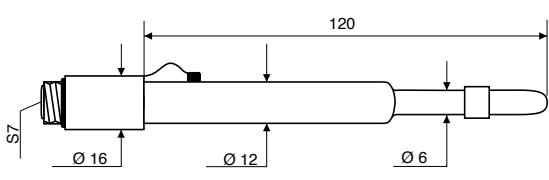
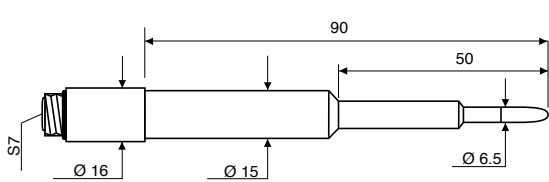
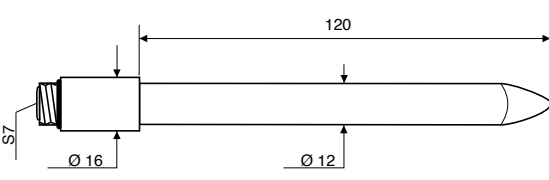
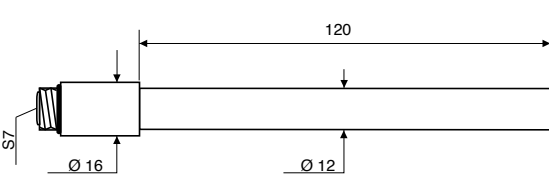


Technical data of pH electrodes without SICRAM module

| ORDERING CODE | MEASUREMENT RANGE AND USE | DIMENSIONS |
|---------------|--|--|
| KP20 | 0...14pH / 0...80°C / 3bar Body in Epoxy - GEL filled 1 ceramic diaphragm Waste water, drinking water, paints, water emulsions, galvanic baths, fruit juices, water suspensions, titration, varnishes. |  |
| KP30 | 0...14pH / 0...80°C / 3bar Body in Epoxy - GEL filled 1 ceramic diaphragm Cable L=1m with BNC Waste water, drinking water, water emulsions, galvanic baths, paints, varnishes, water suspensions, fruit juices, titration. |  |
| KP50 | 0...14pH / 0...80°C / 3bar Body in glass - GEL filled 1 Teflon ring diaphragm Varnishes, cosmetics, water emulsions, galvanic baths, creams, deionised water, TRIS solutions, drinking water, fruit juices, low-ion-content solutions, mayonnaise, preserved food, paints, titration, titration in non-water solutions, water suspensions, detergents, waste water, viscous samples. |  |
| KP61 | 2...14pH / 0...80°C / 3bar Body in glass Liquid reference filling Triple ceramic diaphragm Waste water, paste, bread, fruit juices, varnishes, cosmetics, creams, deionised water, drinking water, water emulsions, galvanic baths, detergents, yoghurt, milk, titration, preserved food, titration in non-water solutions, water suspensions, mayonnaise, wine, low ion-content solution, butter, proteic substances, paints, viscous samples |  |
| KP62 | 0...14pH / 0...80°C / 3bar Body in glass - GEL filled 1 ceramic diaphragm Paints, varnishes, drinking water, water emulsions, fruit juices, galvanic baths, water suspensions, titration, waste water. |  |
| KP63 | 0...14pH / 0...80°C / 1bar Body in glass Reference filling solution KCl 3M 1 ceramic diaphragm Cable L=1m with BNC Paints, varnishes, drinking water, water solutions, fruit juices, galvanic baths, water suspensions, titrations, waste water. |  |
| KP64 | 0...14pH / 0...80°C / 0.1bar Body in glass Liquid reference KCl 3M Teflon collar diaphragm Paints, varnishes, cosmetics, creams, deionised water, drinking water, water emulsions, fruit juices, detergents, low ion-content solutions, preserved food, water suspensions, titration, titration in non-water solutions, TRIS solutions, waste water, viscous samples, wine. |  |
| KP70 | 2...14pH / 0...50°C / 0.1bar Body in Epoxy - GEL filled 1 open junction Paste, bread, paints, varnishes, cosmetics, creams, drinking water, water emulsions, fruit juices, galvanic baths, detergents, mayonnaise, preserved foods, cheese, milk, water suspensions, viscous samples, waste water, butter, yoghurt. |  |
| KP80 | 2...14pH / 0...60°C / 1bar Body in glass - GEL filled 1 open junction Paste, bread, paints, varnishes, cosmetics, creams, drinking water, water emulsions, fruit juices, galvanic baths, detergents, mayonnaise, preserved food, water suspensions, titration, titration in non-water solutions, viscous samples, waste water, yoghurt, milk, butter. |  |
| KP100 | 2...14pH / 0...80°C / 1bar Body in glass Liquid reference KCl 3M Teflon ring diaphragm Flat membrane gel combined pH electrode, S7 connector, for skin, leather, paper. |  |

pH electrodes

| ORDERING CODE | MEASUREMENT RANGE AND USE | DIMENSIONS |
|---------------|--|------------|
| KP63TS | 0...14pH / 0...80°C / 1bar Pt100 sensor Body in glass Reference filling solution KCl 3M 1 ceramic diaphragm Cable L=1m with SICRAM module Paints, varnishes, drinking water, water solutions, fruit juices, galvanic baths, water suspensions, titrations, waste water. | |
| KP47 | Please refer to employed electrode. | |

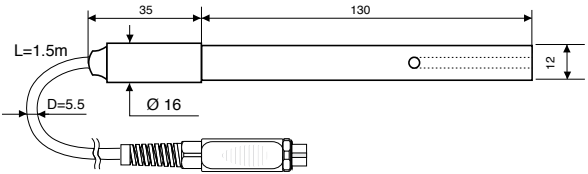
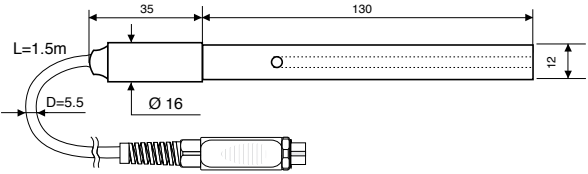
Redox Electrodes without SICRAM module

| ORDERING CODE | MEASUREMENT RANGE AND USE | DIMENSIONS |
|---------------|--|------------|
| KP90 | ±2000mV 0...80°C 5bar Body in glass Reference filling solution KCl 3M General use | |
| KP91 | ±1000mV 0...60°C 1bar Body in Epoxy - GEL Cable L=1m with BNC General use No heavy tasks | |

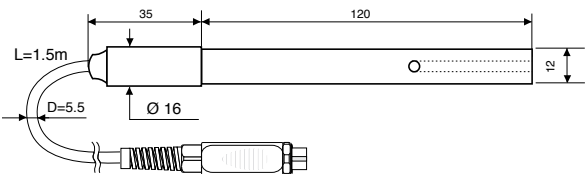
Combined 2-ring or 4-ring conductivity probes without SICRAM module

| ORDERING CODE | MEASUREMENT RANGE AND USE | DIMENSIONS |
|---------------|--|------------|
| SP06T | K=0.7 5µS/cm ... 200mS/cm 0...90°C 4-electrode cell in Pocan/Platinum Probe material Pocan General use No heavy tasks | |
| SPT401.001 | K=0.01 0.04µS/cm ... 20µS/cm 0...120°C 2-electrode cell in AISI 316 Ultrapure water Measurement in closed-cell | |
| SPT01G | K=0.1 0.1µS/cm ... 500µS/cm 0...80°C 2-electrode cell in Platinum-wire Probe material glass Pure water | |

2-ring or 4-ring conductivity probes without SICRAM module

| ORDERING CODE | MEASUREMENT RANGE AND USE | DIMENSIONS |
|---------------|--|--|
| SPT1G | K=1 10µS/cm ...10mS/cm 0...80°C 2-electrode cell in Platinum wire Probe material glass General heavy tasks, average conductivity |  |
| SPT10G | K=10 500µS/cm ...200mS/cm 0...80°C 2-electrode cell in Platinum wire Probe material glass General heavy tasks, high conductivity |  |

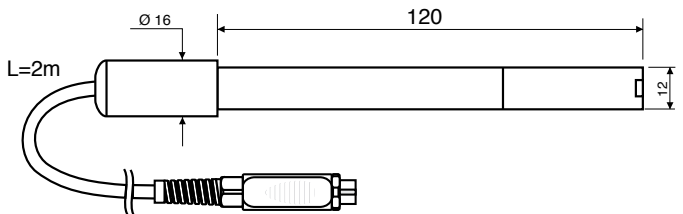
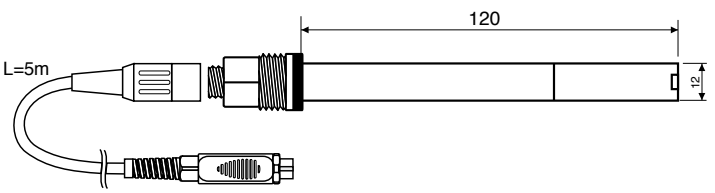
Conductivity probes with SICRAM module

| ORDERING CODE | MEASUREMENT RANGE AND USE | DIMENSIONS |
|---------------|---|--|
| SPT1GS | K=1 10µS/cm ...10mS/cm 0...80°C 2-electrode cell Glass/Platinum |  |

Dissolved oxygen probe

| Model | D09709 SS | D09709 SS.5 |
|---------------------|---|-------------|
| Type | Polarographic probe, Silver anode, Platinum cathode | |
| Application range | | |
| Application range | 0.00...60.00mg/l | |
| Working temperature | 0...45°C | |
| Accuracy | ±1%f.s. | |
| Membrane | Replaceable | |
| Cable length | 2m | 5m (*) |

(*)Cable with connector

| | |
|------------|--|
| D09709SS |  |
| D09709SS.5 |  |

Temperature probes

Pt100 temperature probes with SICRAM module

| Modell | Type | Application range | Accuracy |
|-----------|-------------|-------------------|--|
| TP87 | Immersion | -50°C...+200°C | ±0.25°C (-50°C...+200°C) |
| TP4721.0 | Immersion | -50°C...+400°C | ±0.25°C (-50°C...+350°C) ±0.4°C (+350°C...+400°C) |
| TP473P.0 | Penetration | -50°C...+400°C | ±0.25°C (-50°C...+350°C) ±0.4°C (+350°C...+400°C) |
| TP474C.0 | Contact | -50°C...+400°C | ±0.3°C (-50°C...+350°C) ±0.4°C (+350°C...+400°C) |
| TP475A.0 | Air | -50°C...+250°C | ±0.3°C (-50°C...+250°C) |
| TP4721.5 | Immersion | -50°C...+400°C | ±0.3°C (-50°C...+350°C) ±0.4°C (+350°C...+400°C) |
| TP4721.10 | Immersion | -50°C...+400°C | ±0.3°C (-50°C...+350°C) ±0.4°C (+350°C...+400°C) |

Temperature drift @20°C 0.003%/°C

4 wires Pt100 probes or 2 wires Pt1000 probes equipped with TP47 module

| Modell | Type | Application range | Accuracy |
|-----------|----------------|-------------------|----------|
| TP47.100 | Pt100 4 wires | -50...+200°C | Class A |
| TP47.1000 | Pt1000 2 wires | -50...+200°C | Class A |
| TP87.100 | Pt100 4 wires | -50...+200°C | Class A |
| TP87.1000 | Pt1000 2 wires | -50...+200°C | Class A |

Temperature drift @20°C 0.005%/°C

TP47: Module for the connection of Pt100 4-wire and Pt1000 2-wire probes.

