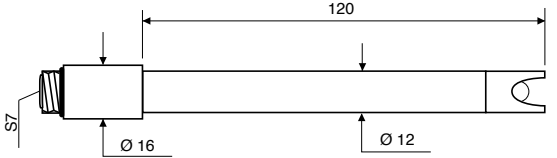
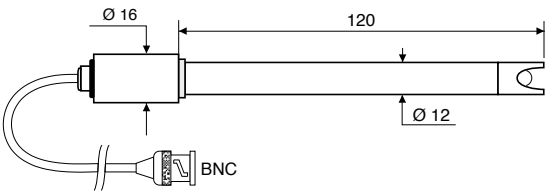
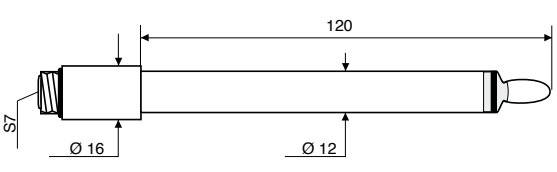
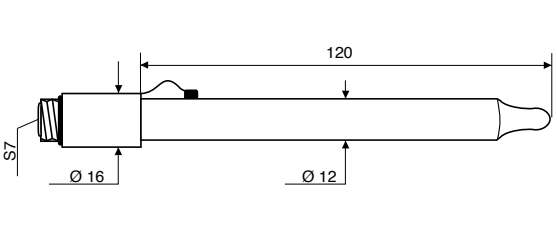
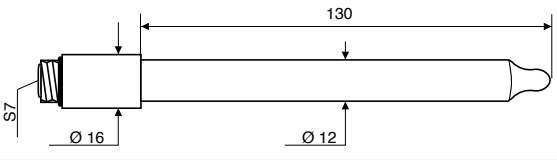
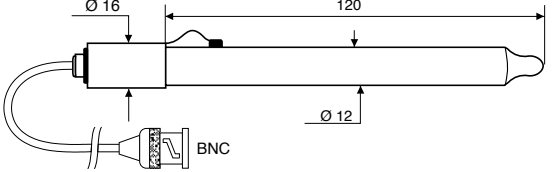
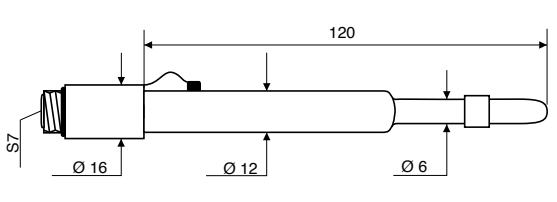
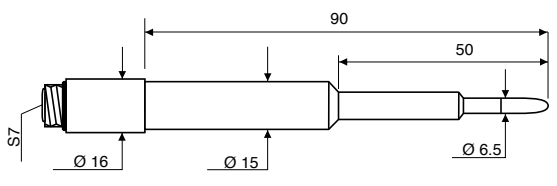
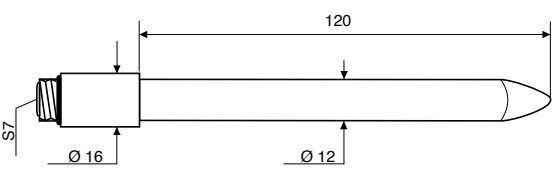
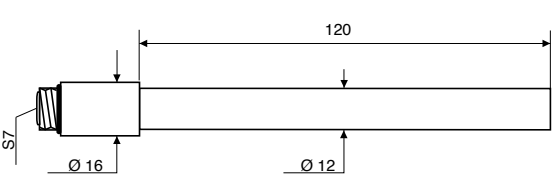
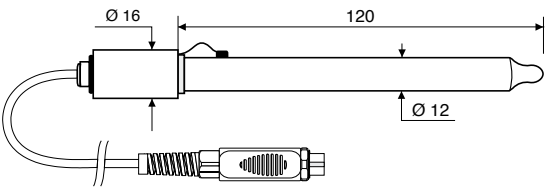
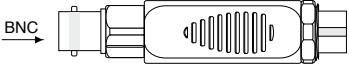


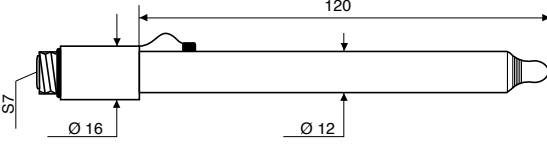
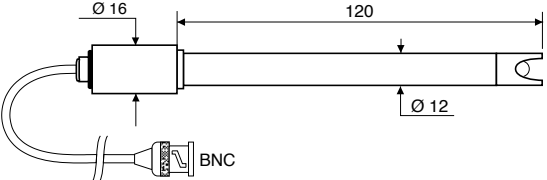
Technical data of pH electrodes without SICRAM module

ORDERING CODE	MEASUREMENT RANGE AND USE	DIMENSIONS
KP20	0...14pH / 0...80°C / 3bar Body in Epoxy - GEL filled 1 ceramic diaphragm Waste water, drinking water, paints, water emulsions, galvanic baths, fruit juices, water suspensions, titration, varnishes.	
KP30	0...14pH / 0...80°C / 3bar Body in Epoxy - GEL filled 1 ceramic diaphragm Cable L=1m with BNC Waste water, drinking water, water emulsions, galvanic baths, paints, varnishes, water suspensions, fruit juices, titration.	
KP50	0...14pH / 0...80°C / 3bar Body in glass - GEL filled 1 Teflon ring diaphragm Varnishes, cosmetics, water emulsions, galvanic baths, creams, deionised water, TRIS solutions, drinking water, fruit juices, low-ion-content solutions, mayonnaise, preserved food, paints, titration, titration in non-water solutions, water suspensions, detergents, waste water, viscous samples.	
KP61	2...14pH / 0...80°C / 3bar Body in glass Liquid reference filling Triple ceramic diaphragm Waste water, paste, bread, fruit juices, varnishes, cosmetics, creams, deionised water, drinking water, water emulsions, galvanic baths, detergents, yoghurt, milk, titration, preserved food, titration in non-water solutions, water suspensions, mayonnaise, wine, low ion-content solution, butter, proteic substances, paints, viscous samples	
KP62	0...14pH / 0...80°C / 3bar Body in glass - GEL filled 1 ceramic diaphragm Paints, varnishes, drinking water, water emulsions, fruit juices, galvanic baths, water suspensions, titration, waste water.	
KP63	0...14pH / 0...80°C / 1bar Body in glass Reference filling solution KCl 3M 1 ceramic diaphragm Cable L=1m with BNC Paints, varnishes, drinking water, water solutions, fruit juices, galvanic baths, water suspensions, titrations, waste water.	
KP64	0...14pH / 0...80°C / 0.1bar Body in glass Liquid reference KCl 3M Teflon collar diaphragm Paints, varnishes, cosmetics, creams, deionised water, drinking water, water emulsions, fruit juices, detergents, low ion-content solutions, preserved food, water suspensions, titration, titration in non-water solutions, TRIS solutions, waste water, viscous samples, wine.	
KP70	2...14pH / 0...50°C / 0.1bar Body in Epoxy - GEL filled 1 open junction Paste, bread, paints, varnishes, cosmetics, creams, drinking water, water emulsions, fruit juices, galvanic baths, detergents, mayonnaise, preserved foods, cheese, milk, water suspensions, viscous samples, waste water, butter, yoghurt.	
KP80	2...14pH / 0...60°C / 1bar Body in glass - GEL filled 1 open junction Paste, bread, paints, varnishes, cosmetics, creams, drinking water, water emulsions, fruit juices, galvanic baths, detergents, mayonnaise, preserved food, water suspensions, titration, titration in non-water solutions, viscous samples, waste water, yoghurt, milk, butter.	
KP100	2...14pH / 0...80°C / 1bar Body in glass Liquid reference KCl 3M Teflon ring diaphragm Flat membrane gel combined pH electrode, S7 connector, for skin, leather, paper.	

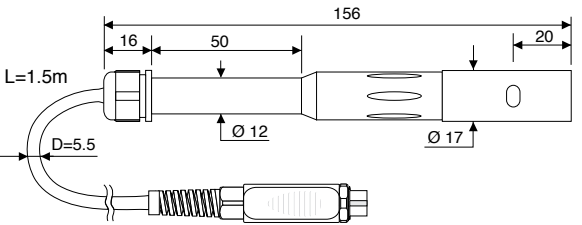
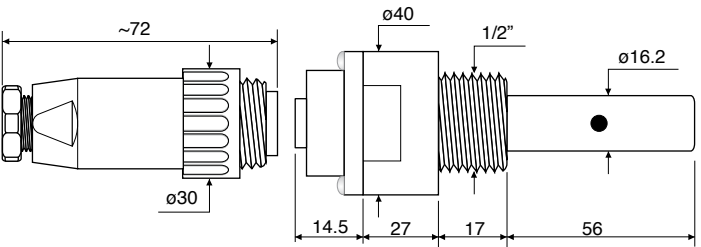
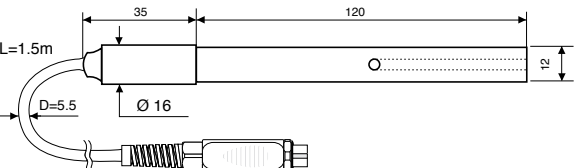
pH electrodes

ORDERING CODE	MEASUREMENT RANGE AND USE	DIMENSIONS
KP63TS	0...14pH / 0...80°C / 1bar Pt100 sensor Body in glass Reference filling solution KCl 3M 1 ceramic diaphragm Cable L=1m with SICRAM module Paints, varnishes, drinking water, water solutions, fruit juices, galvanic baths, water suspensions, titrations, waste water.	
KP47	Please refer to employed electrode.	

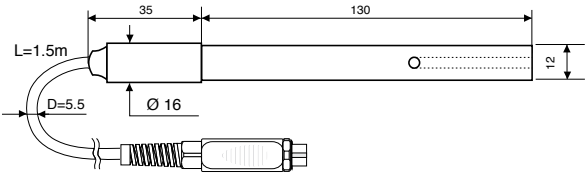
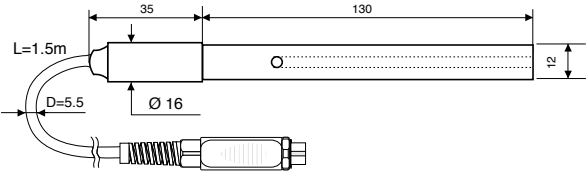
Redox Electrodes without SICRAM module

ORDERING CODE	MEASUREMENT RANGE AND USE	DIMENSIONS
KP90	±2000mV 0...80°C 5bar Body in glass Reference filling solution KCl 3M General use	
KP91	±1000mV 0...60°C 1bar Body in Epoxy - GEL Cable L=1m with BNC General use No heavy tasks	

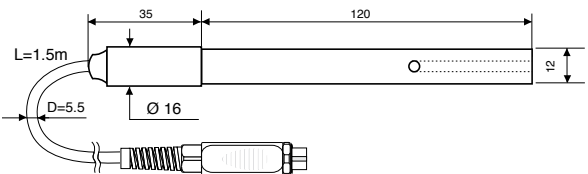
Combined 2-ring or 4-ring conductivity probes without SICRAM module

ORDERING CODE	MEASUREMENT RANGE AND USE	DIMENSIONS
SP06T	K=0.7 5µS/cm ...200mS/cm 0...90°C 4-electrode cell in Pocan/Platinum Probe material Pocan General use No heavy tasks	
SPT401.001	K=0.01 0.04µS/cm ...20µS/cm 0...120°C 2-electrode cell in AISI 316 Ultrapure water Measurement in closed-cell	
SPT01G	K=0.1 0.1µS/cm ...500µS/cm 0...80°C 2-electrode cell in Platinum-wire Probe material glass Pure water	

2-ring or 4-ring conductivity probes without SICRAM module

ORDERING CODE	MEASUREMENT RANGE AND USE	DIMENSIONS
SPT1G	K=1 10µS/cm ... 10mS/cm 0...80°C 2-electrode cell in Platinum wire Probe material glass General heavy tasks, average conductivity	
SPT10G	K=10 500µS/cm ... 200mS/cm 0...80°C 2-electrode cell in Platinum wire Probe material glass General heavy tasks, high conductivity	

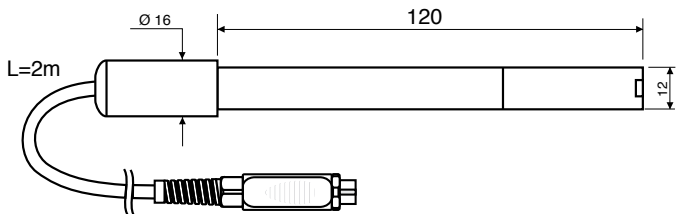
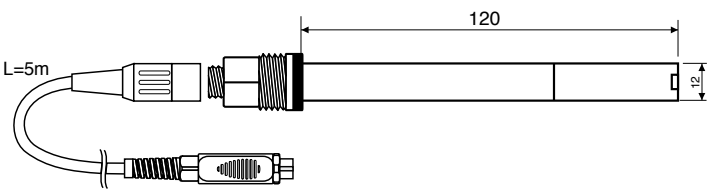
Conductivity probes with SICRAM module

ORDERING CODE	MEASUREMENT RANGE AND USE	DIMENSIONS
SPT1GS	K=1 10µS/cm ... 10mS/cm 0...80°C 2-electrode cell Glass/Platinum	

Dissolved oxygen probe

Model	D09709 SS	D09709 SS.5
Type	Polarographic probe, Silver anode, Platinum cathode	
Application range		
Application range	0.00...60.00mg/l	
Working temperature	0...45°C	
Accuracy	±1%f.s.	
Membrane	Replaceable	
Cable length	2m	5m (*)

(*)Cable with connector

D09709SS	
D09709SS.5	

Temperature probes

Pt100 temperature probes with SICRAM module

Modell	Type	Application range	Accuracy
TP87	Immersion	-50°C...+200°C	±0.25°C (-50°C...+200°C)
TP4721.0	Immersion	-50°C...+400°C	±0.25°C (-50°C...+350°C) ±0.4°C (+350°C...+400°C)
TP473P.0	Penetration	-50°C...+400°C	±0.25°C (-50°C...+350°C) ±0.4°C (+350°C...+400°C)
TP474C.0	Contact	-50°C...+400°C	±0.3°C (-50°C...+350°C) ±0.4°C (+350°C...+400°C)
TP475A.0	Air	-50°C...+250°C	±0.3°C (-50°C...+250°C)
TP4721.5	Immersion	-50°C...+400°C	±0.3°C (-50°C...+350°C) ±0.4°C (+350°C...+400°C)
TP4721.10	Immersion	-50°C...+400°C	±0.3°C (-50°C...+350°C) ±0.4°C (+350°C...+400°C)

Temperature drift @20°C 0.003%/°C

4 wires Pt100 probes or 2 wires Pt1000 probes equipped with TP47 module

Modell	Type	Application range	Accuracy
TP47.100	Pt100 4 wires	-50...+200°C	Class A
TP47.1000	Pt1000 2 wires	-50...+200°C	Class A
TP87.100	Pt100 4 wires	-50...+200°C	Class A
TP87.1000	Pt1000 2 wires	-50...+200°C	Class A

Temperature drift @20°C 0.005%/°C

TP47: Module for the connection of Pt100 4-wire and Pt1000 2-wire probes.

