



**HD 978TR3, HD 978TR4, HD 978TR5, HD 978TR6
SIGNAL CONVERTERS / AMPLIFIERS WITH 4÷20mA OR 0÷10Vdc OUTPUT
CONFIGURABLE WITH HD788-TCAL BY PC THROUGH RS232C**

Configurable signal converters/amplifiers with current or voltage output.
HD978TR3, HD978TR4, HD978TR5 and HD978TR6 are signal converters/amplifiers configurable with mV input. The mV input signal range can be configured from -10mV to +60mV through a button, by using the **HD778-TCAL simulator and DeltaLog7 software** or a tension calibrator with mV output. HD978TR3 and HD978TR5 have 4...20mA current output. HD978TR4 and HD978TR6 have 0...10Vdc voltage output. 0...1Vdc, 0...5Vdc and 1...5Vdc outputs are available on request. A led indicates the alarm situation and it helps user during the programming. The instrument is also protected against polarity inversions. **Input and output are galvanically isolated between them:** this is necessary to eliminate problems due to the mutual influence of the devices originated by disturbs caused by the different mass paths. The instrument is housed in a 2 modules Din (Width 35mm) container with

standard connection for 35mm omega bar for the models HD978TR3 and HD978TR4; a wall container for the models HD978TR5 and HD978TR6. The 4...20mA current output stage of HD978TR3 and HD978TR5 is a passive two-wire and it supplies power to the converter through the current loop.

TECHNICAL DATA @ 25°C e 24Vdc

INPUT	HD978TR3 - HD978TR5	HD978TR4 - HD978TR6
Measuring range	-10mV ... +60mV configurable	
Default range	0...20mV	
Minimum measuring range	2mV	
Input impedance	> 1 MOhm	
Conversion speed	2 measures per second	
Accuracy	±0.04%F.S. ±20µV	
Operating temperature	-30 ... +70°C	
Storage temperature	-40...+80°C	
Relative humidity	0...90%RH (without condensation)	
OUTPUT	HD978TR3 - HD978TR5	HD978TR4 - HD978TR6
Type of output (note 1)	4...20 mA (or 20...4 mA) two-wired 22 mA, in case of unconnected input	0 ... 10Vdc (0...1Vcc, 0...5Vdc, 1...5Vdc upon request)
Resolution	4 µA	20µV
Power supply	9...30Vdc for the 4...20mA current output	15...30Vdc (4mA) for the 0 ... 10Vcc current output, 10...30Vdc (4mA) for the other outputs
Protection against polarity inversion	40Vmax	
Sensitivity to Vdc power voltage variations	0,4 µA/V	2µA/V
Load resistance	$R_L \text{ Max} = (V_{cc}-9)/0.022$ $R_L \text{ Max} = 625\Omega$ with Vdc = 24 Vdc	> 10kΩ
Input/output galvanic isolation	50Vcc (verified at 250V)	
Red led	It turns on while programming, when the probe is broken or not connected	
Heating time	2 minutes	
Thermal drift	0.02% F.S./°C	

Temperature

Nota 1: If the measured voltage V goes out of the V1...V2 (V1<V2) set range, the transmitters linearly regulate the output for V<V1 and V>V2 for an interval of 0.1mV. (See the diagrams of the outputs.)

Installation and connection

Fig.1 shows the mechanical dimensions of the HD978TR3 and TR4: the width of the container is a 2 modules DIN (35mm). Fig.5 reports the wiring diagrams of the HD978TR3 and a DeltaOhm pyranometer. Fig.6 indicates the typical connection of the HD978TR4.

In order to obtain the maximum precision, the connection to the thermocouple should not exceed 3 meters long and should be performed with a shielded cable. It is also recommended not to pass wiring near cable for power signals (electric motors, induction furnaces, inverter etc.). The working temperature should be included in declared operating temperature.

In the diagrams reported, the RL (Load) symbol represents any device introduced

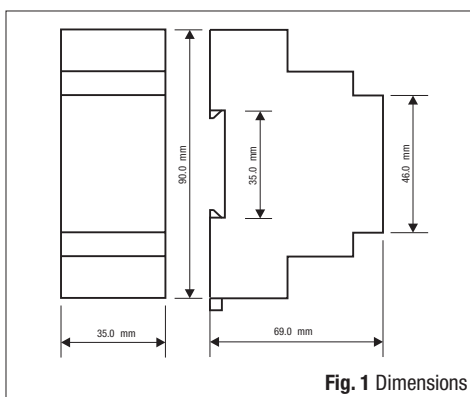


Fig. 1 Dimensions

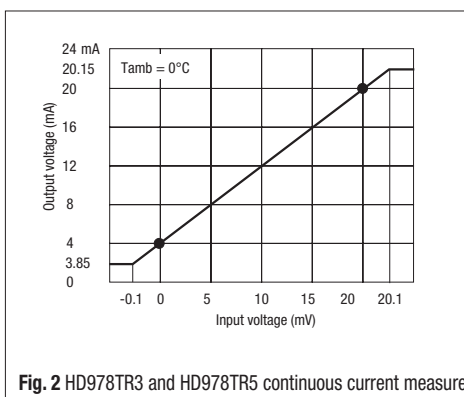


Fig. 2 HD978TR3 and HD978TR5 continuous current measure

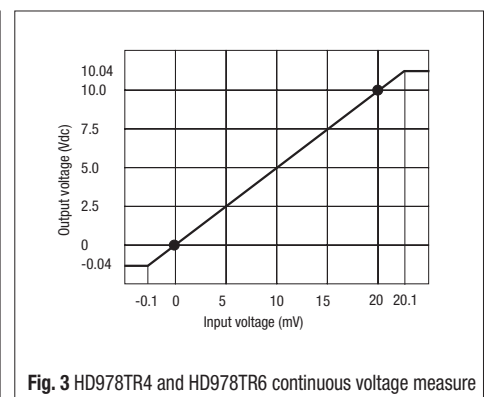


Fig. 3 HD978TR4 and HD978TR6 continuous voltage measure

in the current loop, that is to say any indicator, controller, data logger or recorder. The two terminals reporting EARTH are connected internally between them and they are necessary to connect the ground terminal coming, for instance, by a pyranometer to the grounded, as you can see from the diagrams.

The response curves of the instruments are reported in figures 2 (current output of HD978TR3 and HD978TR5) and 3 (voltage output of HD978TR4 and HD978TR6).

Fig.7 reports, as an example, the connection to be performed for reading the voltage measured on a shunt DC: the converter assures the galvanic isolation between device and voltage or current output; also configurability allows to obtain the best correlation between read and amplified output voltage. We recommend that you pick up the signal by using a sheltered cable and by connecting the screen (shield) to terminal 9.

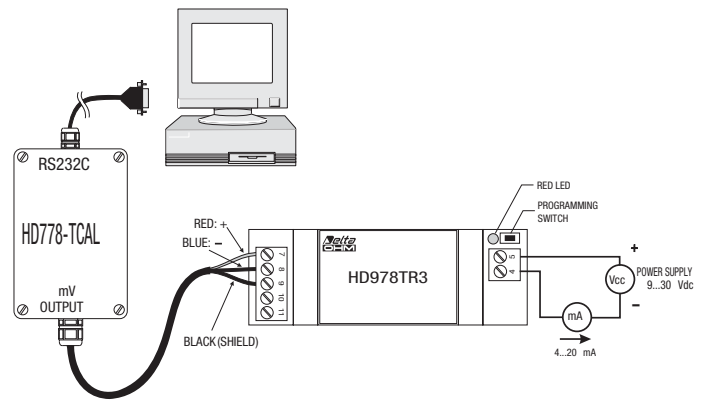
Programming of the operating range

Converters HD978TR3, HD978TR4, HD978TR5 are HD978TR6 are supplied by default with range 0...20mV. The user can set a different range according to his requirements with a **minimum span of 2mV**. The correspondence between the read voltage and current or voltage output can be directed (for ex. 0mV / 4mA and 20mV / 20mA) or reverse (for ex. 20mV / 20mA and 0mV / 4mA). Acquire the following tools for programming:

- source constant supply of suitable value (please see the specifications table),
- calibrator con mV output,
- connection cables,
- precision ammeter with 0...25 mA minimum range or 0...10Vdc voltmeter.

The setting must be done with the instrument already powered.

Set the calibrator so that it generates the voltage corresponding to the output of the initial scale of the converter (4mA or 0V according to the model), **by paying attention to polarity**. Wait 30 seconds for the voltage to stabilize.



Press and hold the button until the led starts flashing. Release the button. The instrument has acquired the first value of the transmitter working range, the led keeps on flashing. The instrument is now awaiting the second data of the full scale range.

Set the calibrator in order to generate a voltage corresponding to the output of the full scale (20mA or 10Vdc).

Press and hold the button until the led stops flashing.

Release the button and wait 20 seconds, **without changing the calibrator's data**, so that the converter saves the calibration data and is ready for working normally. The operation ends with a flashing of the led.

The instrument has acquired the second point corresponding to the range you want to set and is working normally.

The minimum value accepted by the instrument is 2mV. If after having inserted the first range value V1 the user tries to insert a second value V2 with: V2-V1 lower than 2mV, the instrument does not accept it and remains in standby while the led flashing continuously.

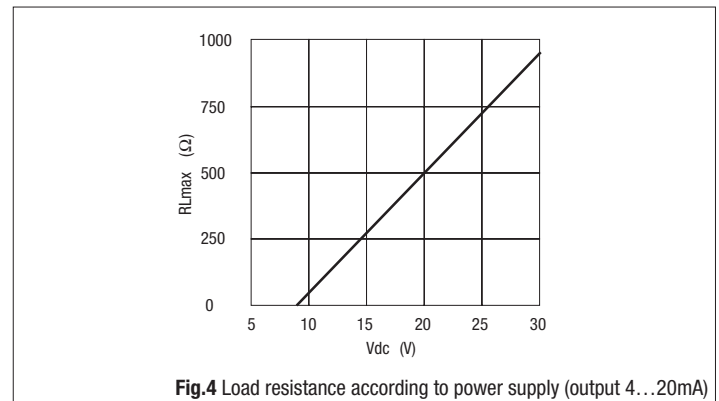


Fig.4 Load resistance according to power supply (output 4...20mA)

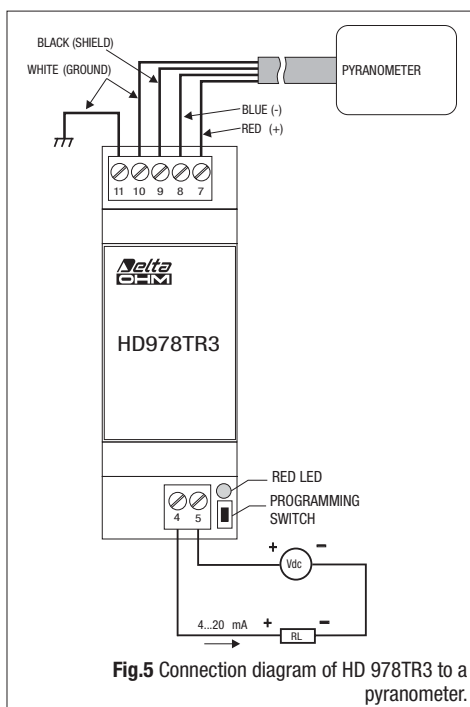


Fig.5 Connection diagram of HD 978TR3 to a pyranometer.

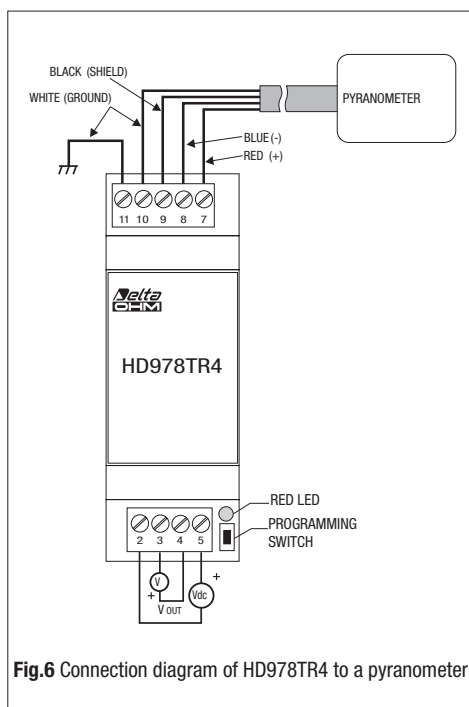


Fig.6 Connection diagram of HD978TR4 to a pyranometer

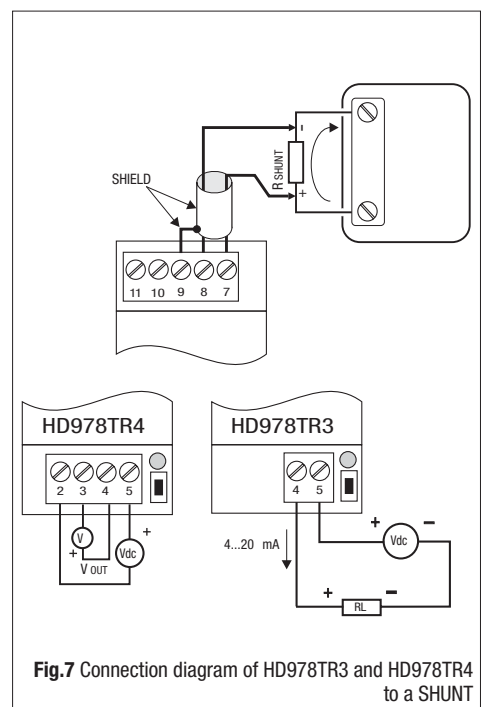


Fig.7 Connection diagram of HD978TR3 and HD978TR4 to a SHUNT

Note: in place of the current/voltage calibrator, you can use the Delta Ohm **HD778-TCAL**. This instrument has to be connected to a serial port of the PC and, by means of the proper **DELTALOG7** software, automates all the steps described above for programming the operating range.

The **HD778-TCAL** is supplied with its software. Connected to the **HD778-TCAL** serial output of a PC, the user can configure the **HD978TR3** and **HD978TR5** (4...20mA or 20...4mA current) or the **HD978TR4** and **HD978TR6** (0...10Vdc or 10...0Vdc voltage) by following the instructions on the screen.

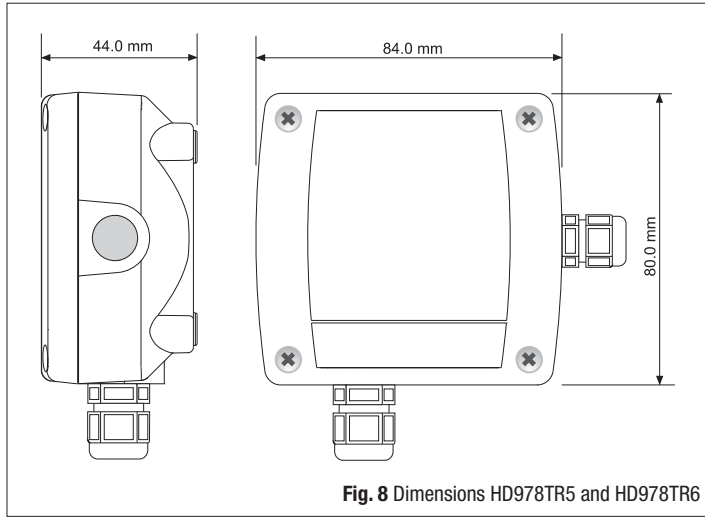


Fig. 8 Dimensions HD978TR5 and HD978TR6

ORDERING CODES

- HD978TR3:** Configurable signal converter amplifier with 4÷20mA (20÷4mA) output, for DIN bar
Input measuring range -10..+60mV. Default setting 0÷20mV.
Minimum measuring range 2mV.
- HD978TR4:** Configurable signal converter amplifier with 0÷10Vdc (10÷0Vdc) output, for DIN bar
Input measuring range -10..+60mV. Default setting 0÷20mV.
Minimum measuring range 2mV.
- HD978TR5:** Wall mounting configurable signal converter amplifier with 4÷20mA (20÷4mA) output.
Input measuring range -10..+60mV. Default setting 0÷20mV.
Minimum measuring range 2mV.
- HD978TR6:** Wall mounting configurable signal converter amplifier with 0÷10Vdc (10÷0Vdc) output.
Input measuring range -10..+60mV. Default setting 0÷20mV.
Minimum measuring range 2mV.
- HD778-TCAL:** power generator in the range -60mV...+60mV, regulated by PC through RS232C serial port, DELTALOG7 software for setting K, J, T and N thermocouple transmitters.

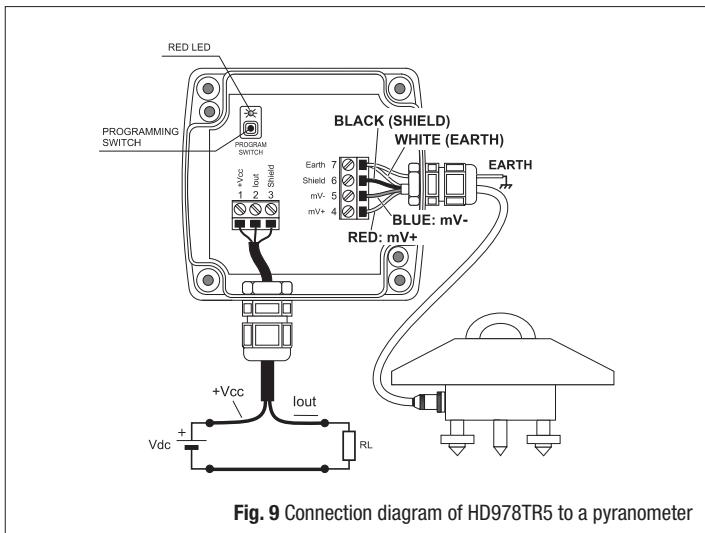


Fig. 9 Connection diagram of HD978TR5 to a pyranometer

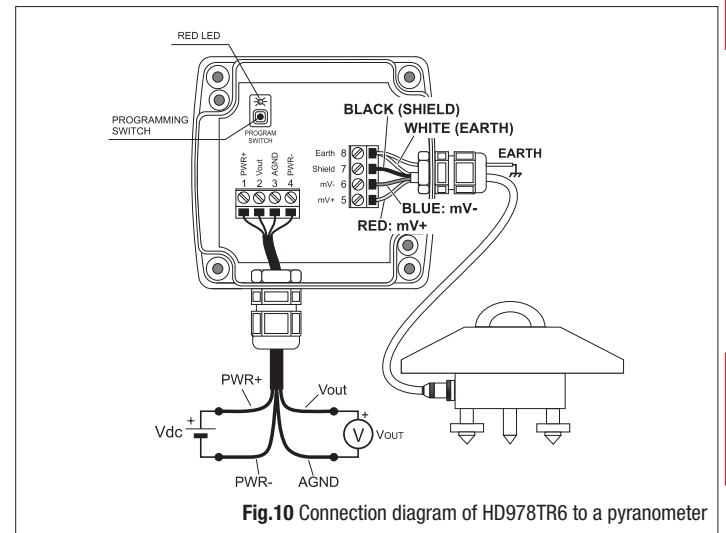


Fig. 10 Connection diagram of HD978TR6 to a pyranometer

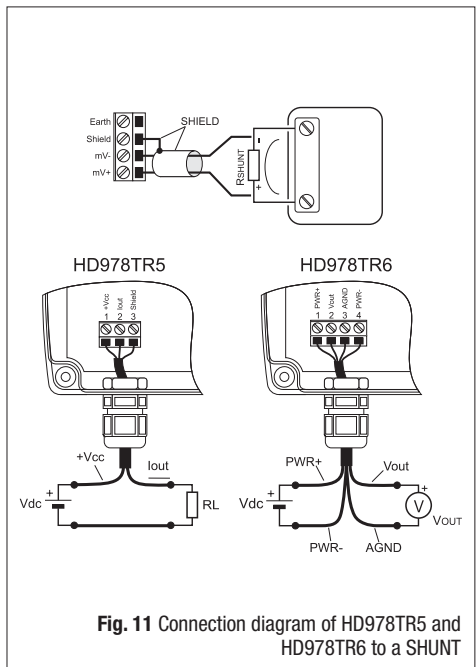


Fig. 11 Connection diagram of HD978TR5 and HD978TR6 to a SHUNT

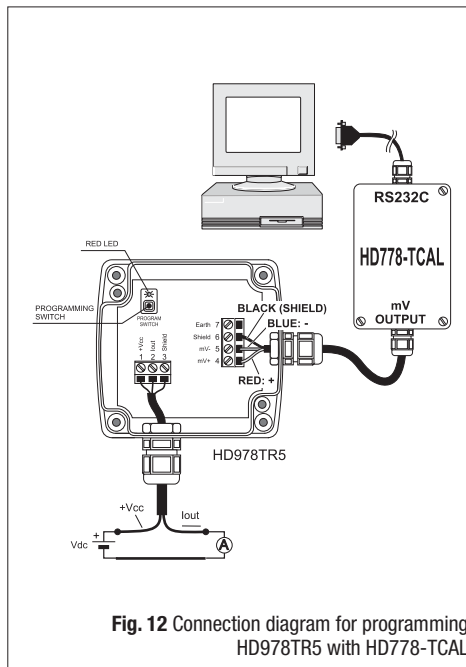


Fig. 12 Connection diagram for programming HD978TR5 with HD778-TCAL

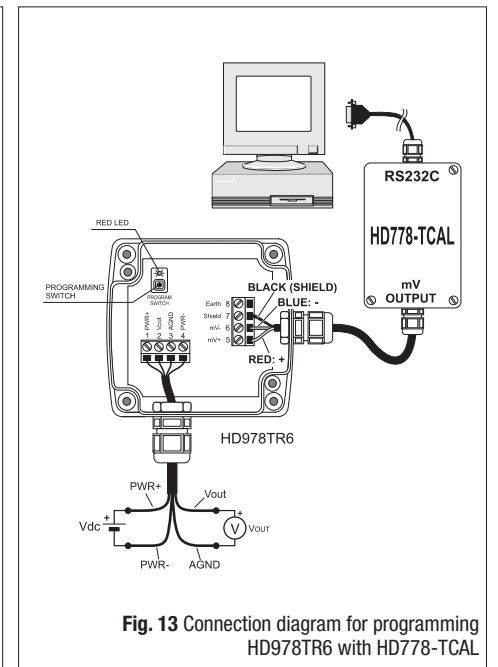


Fig. 13 Connection diagram for programming HD978TR6 with HD778-TCAL

Temperature